

Dixie-Narco®



Lawrence Street
Ranson, West Virginia 25438

(304) 725-3481
(800) 624-0553

Service Bulletin # 318

Date: April 6, 1987
Revised: May 14, 1990

MODELS: DNCE 588/392-9 & -10 Beginning serial number 0001-2931DK
DNCE 489/326-9 & -10 Beginning serial number for these model in the
90 Series is 0001-3176AO

SUBJECT: Shimming & Adjustment Instructions

- SETTING:
- 1a. The models covered in this bulletin are shipped set to vend the 12 oz. rim or rimless can.
 - b. Installed in the vender when shipped:
For the wide column are two (2) Flat Black Shims - 1 shim each side.
Part # - B801,901,860.01 - Flat Black Shim.
 - c. Installed in the vender when shipped:
For the narrow column these is one (1) Can Stop Shim on right side only.
Part # - B431,010,050.03 - Can Stop Shim.
 2. The discharge member would need to be adjusted (turned over) to vend some bottles.
 3. Use the chart on page 2 to "set up" and "shim" the above models. The views of kit parts on page 3 and 4 are for reference purposes only.

WIDE COLUMN

WIDE
AND

NARROW COLUMN

Divider Angle w/3 screws	Loading Depth	Package	Flat Shims			Cam Adjustment	NARROW COLUMN Rear Spacer Hole Location	Shims Required			Adjust Gray Cam	
			Can Retainer	Req'd Per Column Gray	Black			Right Formed	Flat Shims Right Side	Put Rod In		Put Rod In
0	3	12 oz. Rim or Rimless Can	2	0	2	6 Notch	21	-	1 Can Stop Shim 43101005003	-	-	#1
0	2	10 oz. NR Bottle-PLB	0	0	0	4 Notch	14	@1	0	-	-	#3
0	1-Wide 2-Narrow	16 oz. Rimmed or Rimless Can	0	0	2	2 Notch	Wide - 1 Narrow - 10	-	1 Can Stop Shim 43101004003	-	-	#2
<u>RETURNABLES</u>												
0	1	12 oz.	0	0	2	2 Notch	8	@1	0	-	-	#4
0	1	16 oz.	0	0	2	2 Notch	12	@1	0	-	-	#4
0	1	10 oz. Coke	0	0	6	2 Notch	8	#1	2	Rear A Front C*	-	#4
1	1	10 oz. Tab	0	0	6	2 Notch	8	#1	2	Rear A Front C+	-	#4
0	1	10 oz. Diet Coke	0	0	6	2 Notch	8	#1	2	Rear A Front C*	-	#4
1	1	10 oz. Pepsi	0	0	6	2 Notch	8	#1	2	Rear A Front C*	-	#4
1	1	10 oz. Diet Pepsi	0	0	6	2 Notch	8	#1	2	Rear A Front C*	-	#4
1	1	10 oz. 7-Up	0	0	6	2 Notch	8	#1	2	Rear A Front C*	-	#4
1	1	10 oz. Diet Rite Cola	0	0	6	2 Notch	8	#1	2	Rear A Front C*	-	#4
1	1	10 oz. Royal Crown	0	0	6	2 Notch	8	#1	2	Rear A Front C*	-	#4
1	1	10 oz. Sprite, Fanta	0	0	6	2 Notch	8	#1	2	1 in A*	1 in C	#4
0	3-Wide 2-Narrow	10 oz. Motts Can	2	0	6	6 Notch	Wide - 21 Narrow - 8	-	1 Can Stop Shim 43101006003	1 in B	-	#3

- Where the symbol * appears, slide the yellow plastic tube over the rod. Use plastic tubing only where called out. Where the symbol + appears, slide the red plastic tube over the rod. Use plastic tubing only where called out.
- Where Rear A appears it means that the rod is installed (spring end first) in A (Hole) at rear of vend rotor-- the front end of the same rod is installed in C (Hole) at front of vend rotor. See Fig. 3 on page 3.

Narrow Column: There are five (5) adjustable positions on the adjustable cam for the Vend Motor. See Fig. 1A for DNCB T, or for DNCB T Series 90 venders see Fig. 1B.

Each position is numbered adjacent to the slot or the holes. Move adjustable cam to position indicated on shim list.

Example: To set for 12 oz. Cans: Tighten screw into #1 position at extreme end of slot (high) for DNCB T, Fig. 1A, or for DNCB T Series 90 venders rotate cam to position #1, Fig. 1B.

To set for 16 oz. NR PLB: Tighten screw into #5 position for DNCB T, Fig. 1A, or for DNCB T Series 90 venders rotate cam to position #5, Fig. 1B.

If when vending 10 oz. PLB in the Narrow Column, the need arises for the vend motor to run longer, secure the screw in the adjustable cam at position #2 for DNCB T, Fig. 1A, or for DNCB T Series 90 venders rotate cam to position #1, Fig. 1B.

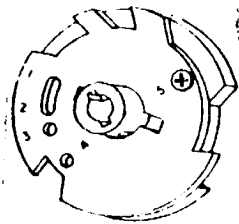


Fig. 1A

Gray Cam



Fig. 1B

Brown Cam

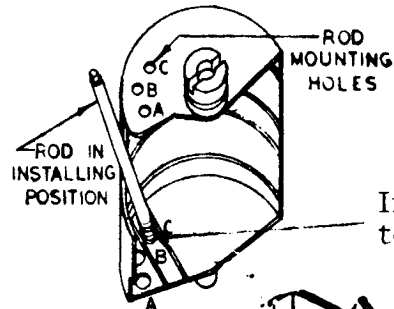


Fig. 2

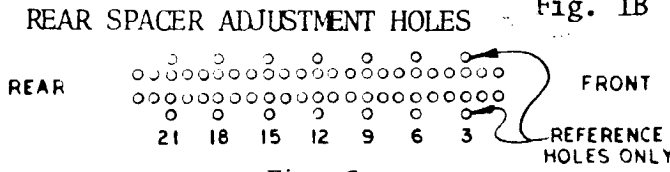


Fig. 3

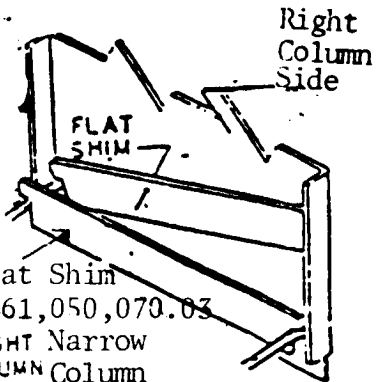


Fig. 8

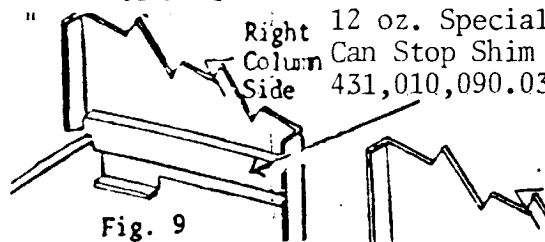


Fig. 9

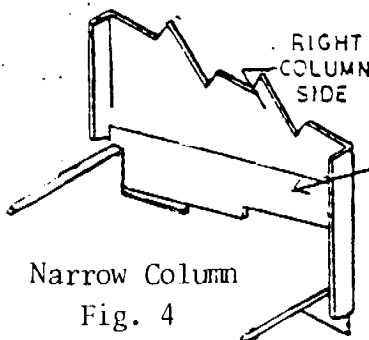


Fig. 4

12 oz. Can Stop Shim
B431,010,050.33

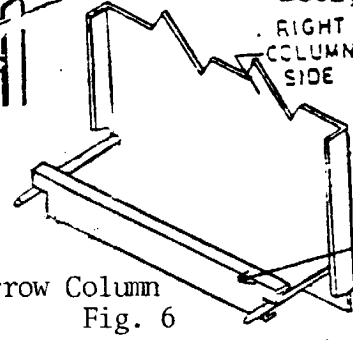


Fig. 6

@10 oz. PLB Shim
B431,010,020.03

NOTE: Shims are shown for identification only.

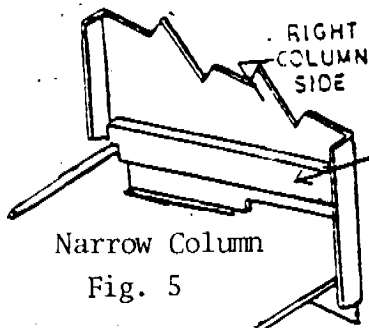


Fig. 5

16 oz. Can Stop Shim
431,010,040.03

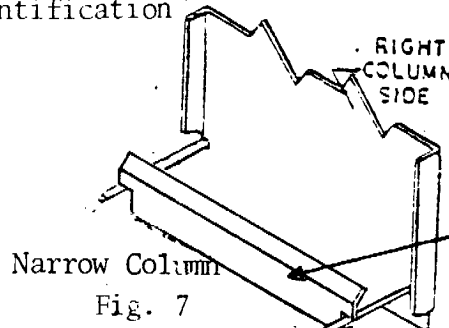


Fig. 7

#Right Formed Shim
361,010,110.03

WIDE COLUMN INFORMATION

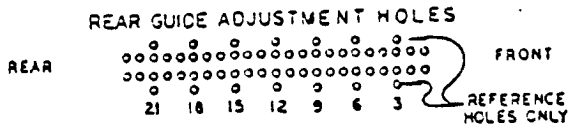


Fig. 1

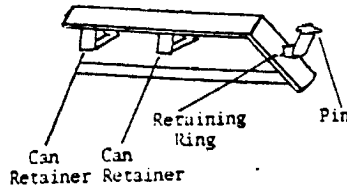


Fig. 2

Locate can retainers on oscillator as shown

ADJUSTMENT SCREW

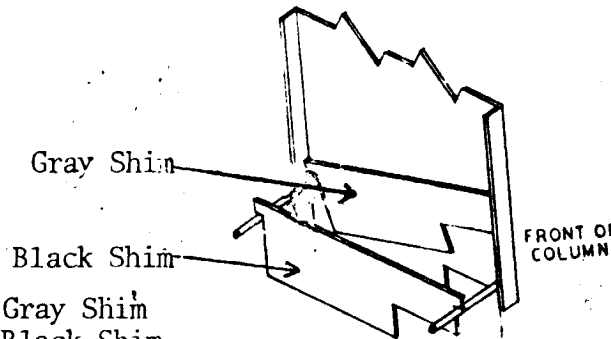


Fig. 3A



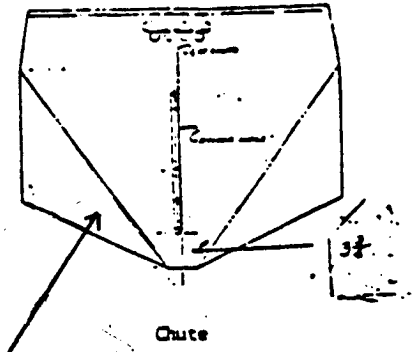
Fig. 3B

Move the adjustable cam on vend motor to # of notches indicated on shim list. See Fig. 3A for venders prior to series 90 or Fig. 3B for series 90 venders.



B431,010,030.03 Gray Shim
B801,901,860.01 Black Shim Wide Column

Fig. 4



Position divider angle as shown over existing holes in chute. Secure with (3) #8-32 x 3/8 Screws.

Fig. 7

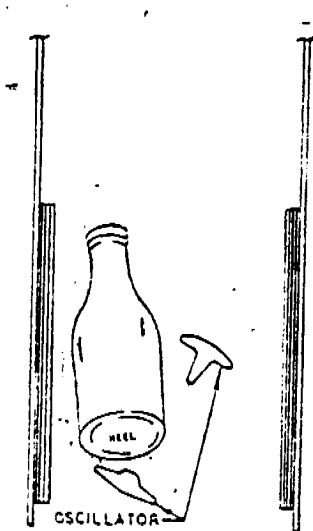


Fig. 5

PACKAGE LOADING

Position Balls as shown. Load packages No. 1,2,3, & 4 as shown, in both front, middle and rear of column. Front, Middle and Rear must be loaded evenly. All bottles must be loaded with cap toward rear spacer.

When Column is sold out, load first 2 bottles heel down - Crown Up - at approximately 45°. See Fig. 5

Then release to horizontal position, See Fig. 6.

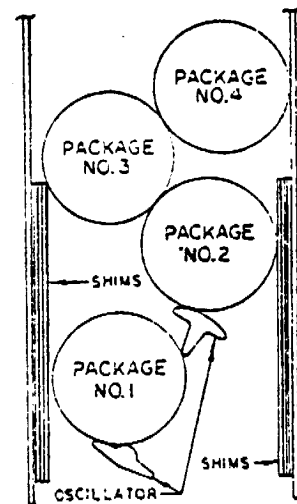


Fig. 6